



PHYSICAL CHARACTERISTICS

TYPE OF TRACKING	ASTRONOMICAL + SOLAR SENSOR + INVERTER. TWO AXIS WITH PRECISION OF 0,1°
ROTATION ANGLE (AZIMUT)	FROM 160° EAST TO 160° WEST (SOUTH 0°)
TILT ANGLE (CENITAL)	BETWEEN 0 TO 90 °
MAXIMUM SURFACE	200 SQUARE METERS
ROTATION DRIVE	ELECTRO MECHANICAL - PLANETARY GEAR - TOLERANCE "0"
TILT DRIVE	ELECTRO MECHANICAL - 2 ACTUATORS OF 10 TN EACH - TOLERANCE "0"
STRUCTURE CONSTRUCTION	ROLLED STEEL S275 AND S355
CORROSION PROTECTION	HOT GALVANIZED ISO 1461 AND DRACOMET BATH IN SCREWS
SPEED WIND PROTECTION	21 m/seg - 75 km/h BY ANEMOMETER
WIND TEST	UP TO 40 m/sec - 150 km/h

CARACTERISTICAS ELECTRICAS

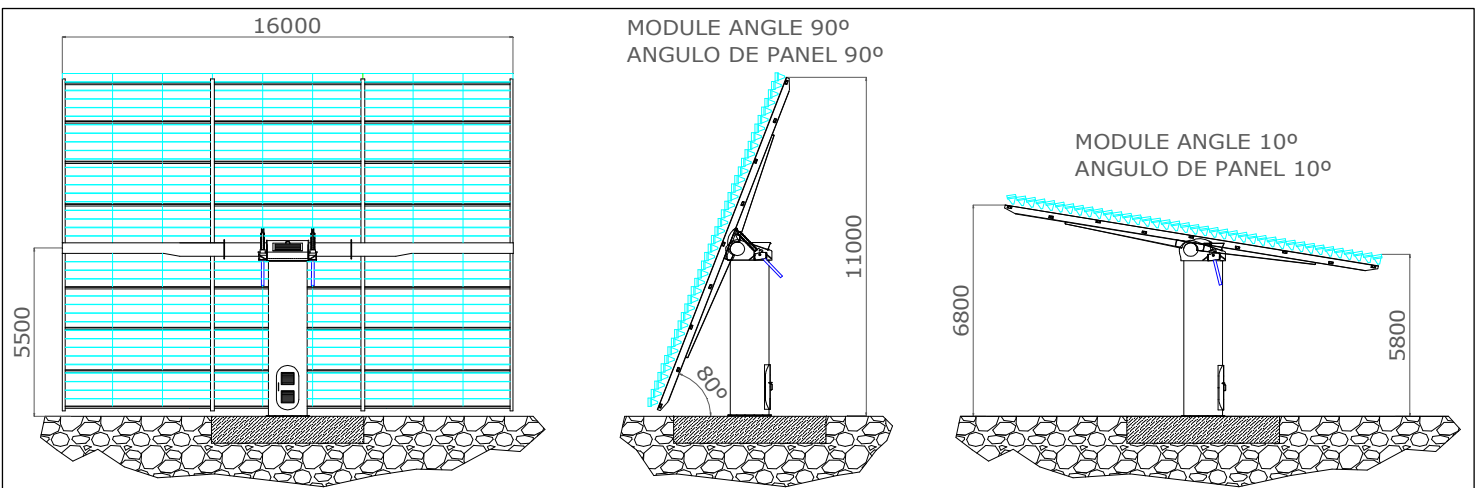
CONFIGURATION	ADAPTIVE TO ANY SOLAR MODULE OF PV CONCENTRATION
MAXIMUM POWER	50 KW
ELECTRICAL BOX	CONFIGURED WITH DC AND AC PROTECTIONS INSIDE OF TOWER
ELECTRONICS INVERTERS	CONNECTED AND PLACED INSIDE OF TOWER
ALIMENTACION ELECTRICA	PHASE + NEUTRAL 230 VOLT
MANEJO Y OPERACIÓN	MANUAL SELECTOR AND/OR TOUCH SCREEN
MONITORIZACION	SCADA REMOTE CONTROL
CONSUMO ENERGIA DIARIA	< 0,6 KW

REGULATIONS

ELECTRICAL	CONSTRUCTION MACHINERY DIRECTIVE 2006/42/CE LOW VOLTAGE DIRECTIVE 2006/95/CE ELECTROMAGNETIC COMPATIBILITY 2004/108/CE; UL-508A
MECHANICAL	EUROCODE; ASCE 7-05 CFE-2008 (wind and earthquake); AS NZS; IS; SANS

WARRANTY

5 YEAR WARRANTY IN STRUCTURE AND COMPONENTS. POSSIBILITY OF EXTENSION.



SALIX ENERGIAS RENOVABLES

POLIGONO CARRILABARCA, PABILLION 27 - PC 31521 - MURCHANTE - SPAIN

TFN: +34 948 83 84 99 / FAX: +34 948 83 86 03 / salix@salixsolar.com / www.salixsolar.com